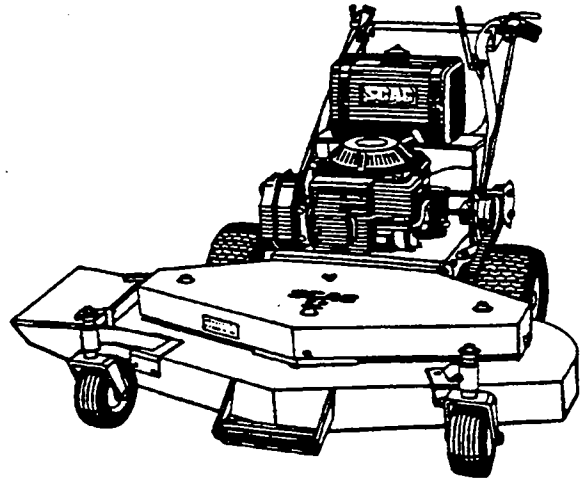
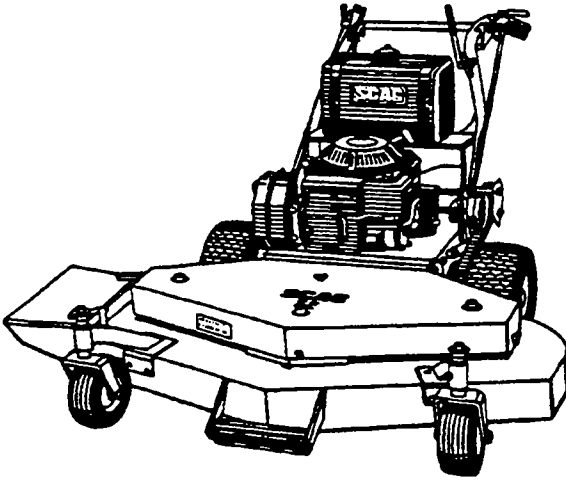


SCAG

POWER EQUIPMENT



KEY IDENTIFYING FEATURES

ALL UNITS LISTED

5 GALLON PLASTIC FUEL TANKS
4 SPEED 700-022 TRANSMISSION
OPERATOR PRESENCE CONTROLS

MODEL#

SW32-12B
SW36-12B
SW36-12BS
SW36-8J
SW36-13K
SW48-12B
SW48-13K

SW-13K
SW-18KH

SWM-52
SWM-61

SWD

32" & 36" CUTTER DECK

| REF. PART NO. | PART NO. | DESCRIPTION | SWM | | | REF. PART NO. | PART NO. | DESCRIPTION | SWM | | |
|---------------|----------|-----------------------------------|-----|----|----|---------------|-----------|-------------------------------------|-----|----|----|
| | | | 32 | 36 | BS | | | | 32 | 36 | BS |
| 1 | 46087 | Cutter Deck Wid (incl. Decal) | x | x | x | 42 | 48127 | Pulley (incl. 43-44) | x | x | x |
| 1 | 45126 | Cutter Deck Wid | x | | | 43 | 48141 | Tapered Hub | x | x | x |
| 2 | 46020 | Cutter Spindle Assy (incl 3-9) | x | x | x | 44 | * | Hex Hd Bolt, 1/4-20 x 3/4 | x | x | x |
| 3 | 04050-04 | Retaining Ring, 1"Ext.-Inverted | x | x | x | 45 | * | Hex Nut, 5/8-11 | x | x | x |
| 4 | 04050-07 | Retaining Ring, 2-7/16 Int.bsc | x | x | x | 46 | 48204 | Belt, Blade Drive | | x | x |
| 5 | 48101-01 | Bearing Cutter Spindle Upper | x | x | x | 46 | 48278 | Belt, Blade Drive | x | | |
| 5a | 48101-02 | Bearing Cutter Spindle Lower | x | x | x | 47 | * | Hex Hd Bolt, 3/8-16 x 5 | x | x | x |
| 6 | 41001 | Spindle Housing | x | x | x | 48 | * | Hex Nut, 3/8-16 | x | x | x |
| 7 | 48114-02 | Grease Fitting, Str 5/16 Serr | x | x | x | 48a | * | Hex Nut, 3/8-16 Ctr Locknut | x | x | x |
| 8 | 43001-02 | Spindle, Cutter Blade | x | x | x | 49 | * | Lockwasher, Spring 3/8 | x | x | x |
| 9 | 04041-02 | Washer, 1-5/16 x 2-13/32 x 16 ga. | x | x | x | 50 | 04004-02 | Support, Belt Cover | x | x | x |
| 10 | 04063-08 | Key, 1/4 x 1/4 x 2 | x | x | x | 51 | 45098 | Belt Guide Wid | x | x | x |
| 11 | 43038 | Spacer, Cutter Blade | x | x | x | 52 sm | * | Hex Hd Bolt, 7/16-14 x 1-1/4 | x | x | x |
| 12 | * | Hex Hd Bolt, 5/16-18 x 1-1/4 | x | x | x | 53 | * | Washer, 15/32 x 59/64 x 16 ga. | x | x | x |
| 13 | * | Lockwasher, Spring 5/16 | x | x | x | 54 | * | Lockwasher, Spring, 7/16 | x | x | x |
| 14 | * | Hex Nut 5/16-18 | x | x | x | 55 | * | Hex Nut, 7/16-14 elastic stop | x | x | x |
| 14a | * | Hex Nut 5/16-24 | x | x | x | 56 | 45037 | Idler Pivot Wid | x | x | x |
| 15 | 48108 | Cutter Blade 18" | | x | x | 57 sm | 46145 | Idler Arm Assy. (incl. 22 & 58) | x | x | x |
| 15 | 48110 | Cutter Blade 16 1/2" | x | | | 58 | 48100-05 | Bronze Bearing | x | x | x |
| 15a | 48185 | Cutter Blade 18" Hi Lift | | x | x | 59 | 04050-02 | Retaining Ring, 3/4 Ext.-"E" | x | x | x |
| 15a | 48184 | Cutter Blade 16 1/2" Hi Lift | x | | | 60 | 04004-04 | Stud | x | x | x |
| 16 | 04040-10 | Fiat Washer, 5/8 W | x | x | | 61 sm | 48269 | Idler Pulley, Belt Clutch | x | x | x |
| 17 | 04001-41 | Hex Hd Bolt, 5/8-11 x 9-1/2 | x | x | x | 62 | 43063 | Spacer, Idler | x | x | x |
| 18 | 46079 | Caster Assy. (incl.19-28) | | x | | 63 | 04070-02 | Eyebolt, LH | x | x | x |
| 19 | 04066-01 | Quick Pin | x | x | x | 64 | 04070-01 | Eyebolt, RH | x | x | x |
| 20 | 43037-01 | Spacer, Caster Yoke, 1/2" long | x | x | x | 65 | 43025 | Turnbuckle | x | x | x |
| 21 | 48100-01 | Bronze Bearing | | x | | 66 | 04022-02 | Wing Nut, 5/16-18 | x | x | x |
| 22 | 48114-01 | Grease Fitting, Str. 1/4-28 | x | x | x | 67 | 43042 | Sleeve, Clutch Rod | x | x | x |
| 23 | 46082 | Support Assy. (incl. 21-22) | | x | | 68 | * | Hex Hd Bolt, 3/8-16 x 2-3/4 | x | x | x |
| 24 | 45006 | Caster Yoke Wid | | x | | 69 | 44003 | Blade Clutch Rod, Lower | x | x | x |
| 25 | 43022 | Sleeve, Caster Wheel Brg. | | x | | 70 | 43043 | Sleeve, Clutch Rod | x | x | x |
| 26 | 04001-37 | Hex Hd Bolt, 1/2-13 x 5-1/2 | | x | | 71 | * | Cotter Pin, 3/32 x 1 | x | x | x |
| 27 | * | Hex Locknut, 1/2-13 | | x | | 72 | * | Washer, 33/64 x 1 x 16 ga. | x | x | x |
| 28 | 48006-01 | Wheel Assy. (incl.13-14a, 29-34) | | x | | 73 | 04062-01 | Hair Pin, large | x | x | x |
| 29 | 48006-02 | Tire Only Caster Wheel | | x | | 74 | * | Hex Hd Bolt, 3/8-16 x 1 | x | x | x |
| NS | 48006-03 | Inner Tube for 48006-01 | | x | | 75 | 42057 | Cam Link | x | x | x |
| 30 | 48006-04 | Rim Pair, Caster Wheel | | x | | 76 | 46078 | Caster Assy (incl.19-20, 22, 77-81) | x | | x |
| 31 | 48006-07 | Retainer, Bearing, Caster wheel | | x | | 77 | 45102 | Caster Support Wid. | x | | x |
| 32 | 48006-06 | Roller Bearing, Caster Wheel | | x | | 78 | 43037-02 | Spacer, Caster Yoke, 1/4 long | x | | x |
| 33 | 48114-03 | Grease Fitting, 45' 1/4-28 | | x | | 79 | 45103 | Caster Yoke Wid. | x | | x |
| 34 | 48006-05 | Hub Assy, Caster Wheel | | x | | 80 | 48195 | Caster Wheel Assy. | x | | x |
| 35 | * | Hex Hd Bolt, 5/16-18 x 3/4 | x | x | x | 81 | 04050-01 | Retaining Ring, 5/8 Ext.-E | x | | x |
| 36 | 45100 | Discharge Chute Wid | x | x | x | 82 | 44009 | Belt Guide | x | x | x |
| 37 | * | Hex Nut, 5/16-18 Elastic Stop | x | x | x | 83 | 42288 | Bumper Ballast | | x | x |
| 38 | * | Hex Hd bolt, 5/16-18x1 | x | x | x | 83 | 42350 | Bumper Ballast | x | | |
| 39 | 46085 | Belt Cover Assy (incl. Decal) | | x | x | 84 | * | Hex Hd Bolt, 5/16-18 x 1 1/2 | x | x | x |
| 39 | 46157 | Belt Cover Assy (incl. Decal) | | x | | 85 | * | Flat Washer, 5/16 | x | x | x |
| 40 | * | Washer, 25/64 x 15/16 x 12 ga. | x | x | x | 86 | 04041-08s | Washer, 3/4 x 1 1/4 x .035 | x | x | x |
| 41 | 04022-04 | Wing Nut, 3/8-16 elastic stop | x | x | x | 87 | 04040-09 | Washer | | | |

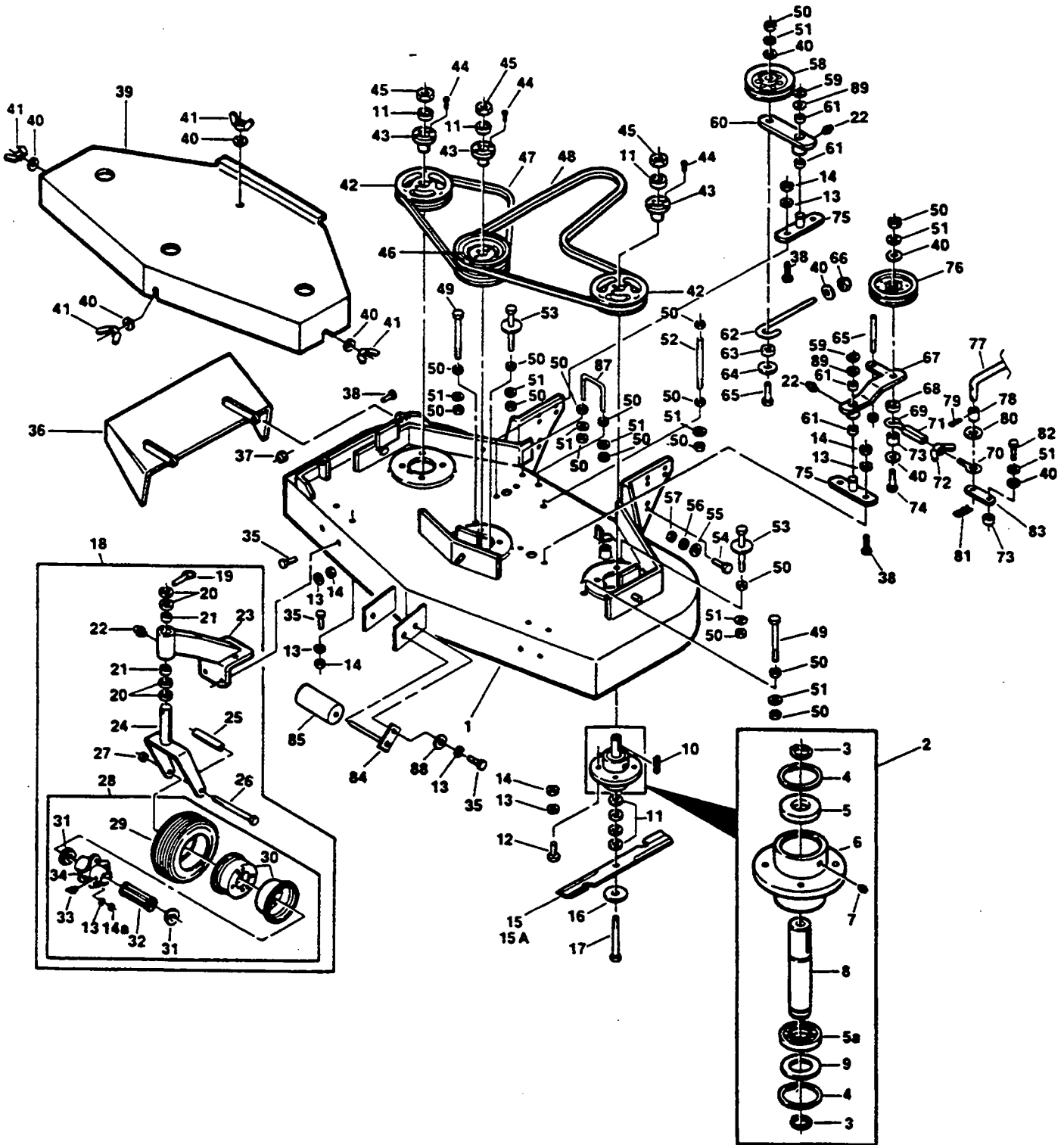
* Common hardware should be purchased locally. All bolts are Grade 5 plated, all other fasteners are zinc plated.

SERVICE MANAGER'S NOTES

REF. NO.

- 61 See SB 25 - Idler pulley for cutter drive belt.
- 57 See SB 25 - Idler pulley for cutter drive belt.
- 52 Deck mounting bolts must be torqued to 70 ft. lbs.

48", 52", & 61" CUTTER DECKS



48", 52", & 61" CUTTER DECKS

| REF. PART NO. NO. | DESCRIPTION | SWM | | | REF. PART NO. NO. | DESCRIPTION | SWM | | | | |
|-------------------|-------------|-----------------------------------|----|----|-------------------|-------------|----------|-----------------------------------|----|---|---|
| | | 48 | 52 | 61 | | | 48 | 52 | 61 | | |
| 1 | 46088 | Cutter Deck (incl. decal) | x | | | 42 | 48127 | Pulley (incl. 43-44) | x | x | x |
| 1 | 46163 | Cutter Deck (incl. decal) | | x | | 43 | 48141 | Tapered Hub | x | x | x |
| 1 | 46119 | Cutter Deck (incl. decal) | | | x | 44 | * | Hex Hd Bolt 1/4-20 x 3/4 | x | x | x |
| 2 | 46020 | Cutter Spindle Assy. (incl. 3-9) | x | x | x | 45 | * | Hex Nut, 5/8-11 | x | x | x |
| 3 | 04050-04 | Retaining Ring, 1" Ext.-Inverted | x | x | x | 46 | 48129 | Pulley, Double (incl. 43-44) | x | x | x |
| 4 | 04050-07 | Retaining Ring, 2-7/16" Int.basic | x | x | x | 47 | 48087 | Belt, RH Blade Drive | x | | |
| 5 | 48101-01 | Bearing, Cutter Spindle Upper | x | x | x | 47 | 48285 | Belt, RH Blade Drive | | x | |
| 5a | 48101-02 | Bearing, Cutter Spindle Lower | x | x | x | 47 | 48265 | Belt, RH Blade Drive | | | x |
| 6 | 41001 | Spacer, Cutter Housing | x | x | x | 48 | 48089 | Belt, Blade Drive | x | | |
| 7 | 48114-02 | Grease Fitting Str. 5/16 Serr. | x | x | x | 48 | 48286 | Belt, Blade Drive | | x | |
| 8 | 43001-02 | Spindle, Cutter Blade | x | x | x | 48 | 48264 | Belt, Blade Drive | | | x |
| 9 | 04041-02 | Washer, 1-5/16 x 2-13/32 x 16 ga | x | x | x | 49 | * | Hex Hd Bolt, 3/8-16 x 5" | x | x | x |
| 10 | 04063-08 | Key, 1/4 x 1/4 x 2 | x | x | x | 50 | * | Hex Nut, 3/8-16 | x | x | x |
| 11 | 43038 | Spacer, Cutter Blade | x | x | x | 50a | * | Hex Nut 3/8-16, Centerlock | x | x | x |
| 12 | * | Hex Hd Bolt, 5/16-18 x 1-1/4 | x | x | x | 51 | * | Lockwasher, Spring, 3/8 | x | x | x |
| 13 | * | Lockwasher, Spring, 5/16 | x | x | x | 52 | 04004-02 | Support, Belt Cover | x | x | x |
| 14 | * | Hex Nut, 5/16-18 | x | x | x | 53 | 45098 | Belt Guide Wid. | x | x | x |
| 14a | * | Hex Nut, 5/16-24 | x | x | x | 54 SM | * | Hex Hd Bolt, 7/16-14 x 1-1/4 | x | x | x |
| 15 | 48110 | Cutter Blade 16-1/2" | x | | | 55 | * | Washer, 15/32 x 59/64 x 16 ga. | x | x | x |
| 15 | 48108 | Cutter Blade 18" | | x | | 56 | * | Lock Washer, Spring, 7/16 | x | x | x |
| 15 | 48111 | Cutter Blade 21" | | | x | 57 | * | Hex Nut, 7/16-14 | x | x | x |
| 15a | 48184 | Cutter Blade 16-1/2" Hi Lift | x | | | 58 | 48181 | Idler Pulley, "V" Groove | x | x | x |
| 15a | 48185 | Cutter Blade 18" Hi Lift | | x | | 59 | 04050-02 | Retaining Ring, 3/4" Ext."E" | x | x | x |
| 16 | 04040-10 | Flat Washer, 5/8"W | x | x | x | 60 | 46081 | Idler Arm Assy. (incl. 22 & 66) | x | x | x |
| 17 | 04001-41 | Hex Hd Bolt, 5/8-11 x 9-1/2" | x | x | x | 61 | 48100-05 | Bronze Bearing | x | x | x |
| 18 | 46079 | Caster Assy, Comp. (incl.19-28) | x | x | x | 62 | 43028 | Rod, Idler Pull, J | x | x | x |
| 19 | 04066-01 | Quick Pin | x | x | x | 63 | 43077 | Spacer, J Pull Rod | x | x | x |
| 20 | 43037-01 | Spacer, Caster Yoke, 1/2" long | x | x | x | 64 | 04041-12 | Washer, 3/8 x 1-1/2 x 16 ga. | x | x | x |
| 21 | 48100-01 | Bronze Bearing | x | x | x | 65 | * | Hex Hd Bolt, 3/8-16 x 2-1/4 | x | x | x |
| 22 | 48114-01 | Grease Fitting, Str., 1/4-28 | x | x | x | 65a | 04004-04 | Stud | x | x | x |
| 23 | 46082 | Support Assy. (incl. 21-22) | x | x | x | 66 | * | Hex Nut, 3/8-16 Elastic Stop | x | x | x |
| 24 | 45006 | Caster Yoke Wid. | x | x | x | 67 SM | 46145 | Idler Arm (incl. 22 & 61) | x | x | x |
| 25 | 43022 | Sleeve, Caster Wheel Bearing | x | x | x | 68 | 43063 | Spacer | x | x | x |
| 26 | 04001-37 | Hex Hd Bolt, 1/2-13 x 5-1/2" | x | x | x | 69 | 04070-02 | Eyebolt, LH | x | x | x |
| 27 | * | Hex Locknut, 1/2-13 | x | x | x | 70 | 04070-01 | Eyebolt, RH | x | x | x |
| 28 | 48006-01 | Wheel Assy. (incl.13-14a, 29-34) | x | x | x | 71 | 43025 | Turnbuckle | x | x | x |
| 29 | 48006-02 | Tire only, Caster Wheel | x | x | x | 72 | 04022-02 | Wing Nut, 5/16-18 | x | x | x |
| | 48006-03 | Inner Tube only, Caster Wheel | x | x | x | 73 | 43042 | Sleeve, Cam Clutch | x | x | x |
| 30 | 48006-04 | Rim Pair, Caster Wheel | x | x | x | 74 | * | Hex Hd Bolt, 3/8-16 x 2-3/4 | x | x | x |
| 31 | 48006-07 | Retainer, Bearing, Caster Wheel | x | x | x | 75 | 45037 | Idler Pivot Wid. | x | x | x |
| 32 | 48006-06 | Roller Bearing, Caster Wheel | x | x | x | 76 SM | 48269 | Idler Pulley, Belt Clutch | x | x | x |
| 33 | 48114-03 | Grease Fitting 45' 1/4-28 | x | x | x | 77 | 44003 | Blade Clutch Rod, Lower | x | x | x |
| 34 | 48006-05 | Hub Assy, Caster Wheel | x | x | x | 78 | 43043 | Sleeve, Clutch Rod | x | x | x |
| 35 | * | Hex Hd Bolt, 5/16-18 x 3/4" | x | x | x | 79 | * | Cotter Pin, 3/32 x 1 | x | x | x |
| 36 | 45029 | Discharge Chute Wid | x | | | 80 | * | Washer, 33/64 x 1 x 16 ga | x | x | x |
| 36 | 45100 | Discharge Chute Wid | | x | | 81 | 04062-01 | Hair Pin Large | x | x | x |
| 37 | * | Hex Nut, 5/16-18 Elastic Stop | x | x | x | 82 | * | Hex Hd Bolt, 3/8-16 x 1 | x | x | x |
| 38 | * | Hex Hd Bolt, 5/16-18 x 1 | x | x | x | 83 | 42057 | Cam Link | x | x | x |
| 39 | 46086 | Belt Cover Assy. (incl. Decals) | x | | | 84 | 45046 | Roller Shaft Wid | x | | |
| 39 | 46164 | Belt Cover Assy. (incl. Decals) | | x | | 85 | 48038 | Guide Roller | | x | x |
| 39 | 46121 | Belt Cover Assy. (incl. Decals) | | | x | 86 | * | Flat Washer, 11/32 x 11/16 x 16ga | x | | |
| 40 | * | Washer 25/64 x 15/16 x 12 ga. | x | x | x | 87 | 44008 | Belt Guide | x | x | x |
| 41 | 04022-04 | Wing Nut,3/8-16 | x | x | x | 88 | * | Flat Washer, 5/16 | x | x | x |

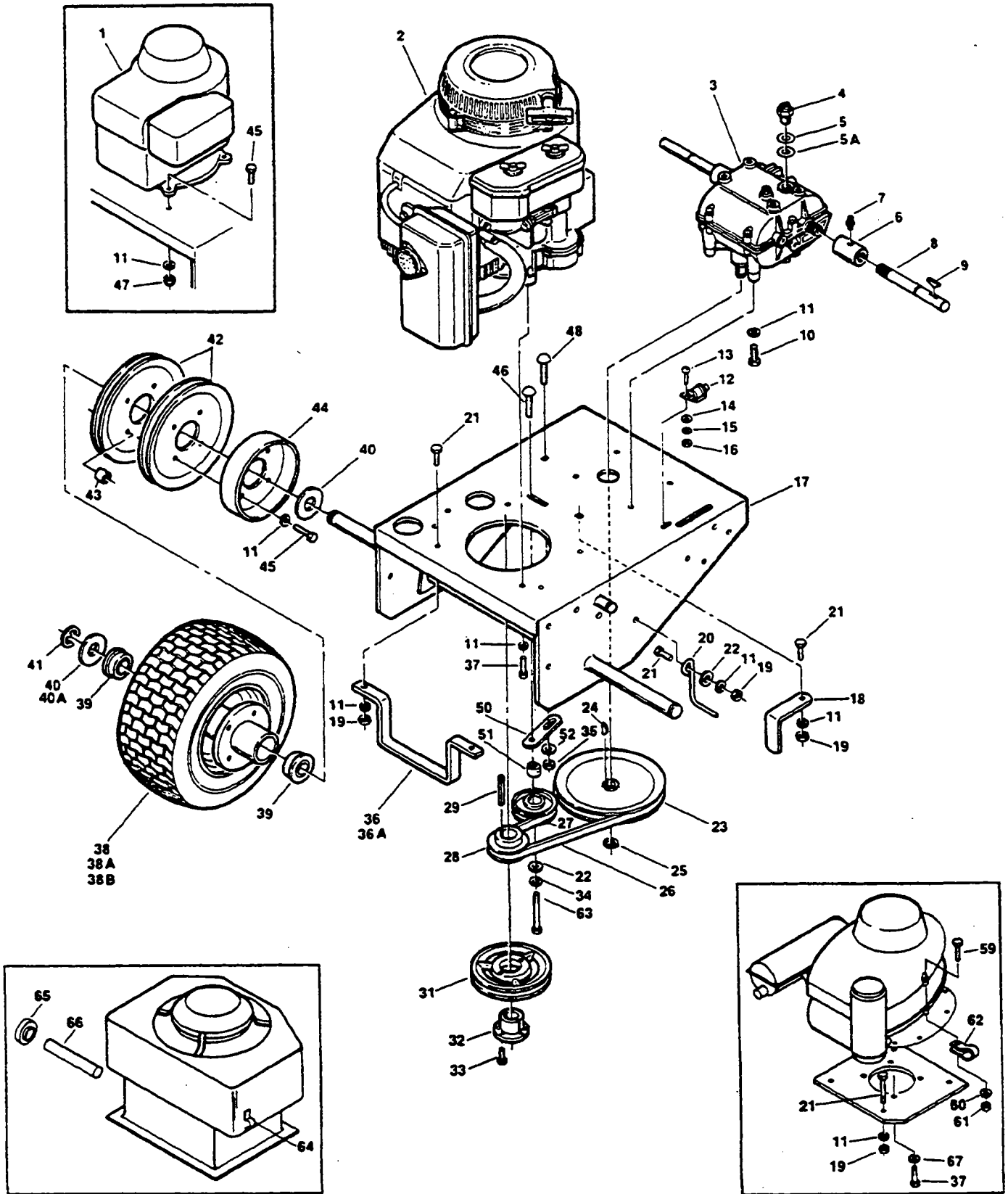
* Common hardware should be purchased locally. All bolts Grade 5, all other fasteners zinc plated.

SERVICE MANAGER'S NOTES

REF. NO.

- 76 See SB 25 - Idler pulley for cutter drive belt.
- 67 See SB 25 - Idler pulley for cutter drive belt.
- 54 Deck mounting bolts must be torqued to 70 ft. lbs.

ENGINE DECK



ENGINE DECK

| REF. PART NO. NO. | DESCRIPTION | SW | SW | SW | SW | SW | SW | SW | SW | |
|----------------------|--|-----------|-----------|-----------|----------|-----------|-----------|-----------|------------|------------|
| | | 32 12B | 36 12B | 36 13K | 36 8J | 48 12B | 48 13K | 52 13K | 52 18KH | 61 18KH |
| 1 SM 48268 | Engine 18HP Kohler (MV18 PS-58511) | | | | | | | | x | x |
| 1 SM 48273 | Engine 8HP JLO | | | | x | | | | | |
| 1 SM 48271 | Engine 12HP Briggs (281702 type 0152-01) | x | x | | | x | | | | |
| 2 48190 | Engine 12.5 Kawasaki (FB460-ES05) | | | x | | x | x | | | |
| 3 SM 48191 | Transmission (PEERLESS 700-022) | x | x | x | x | x | x | x | x | x |
| 4 48231 | Neutral safety switch | x | x | x | x | x | x | x | x | x |
| 5 48122-01 | Fibre washer, thin | x | x | x | x | x | x | x | x | x |
| 5a 48122-02 | Fibre washer, thick | x | x | x | x | x | x | x | x | x |
| 6 48226 | Coupler, jackshaft | x | x | x | x | x | x | x | x | x |
| 7 48114-01 | Grease fitting, str. 1/4-28 | x | x | x | x | x | x | x | x | x |
| 8 48225 | Jackshaft | x | x | x | x | x | | | | |
| 8a 48242 | Jackshaft | | | | | | | x | x | x |
| 9 04063-09 | Key, Hi-Pro #9 | x | x | x | x | x | x | x | x | x |
| 10 * | Hex Hd Bolt, 5/16-18 x 3/4 | x | x | x | x | x | x | x | x | x |
| 11 * | Lockwasher, Spring 5/16 | x | x | x | x | x | x | x | x | x |
| 12 48305 | Clutch Safety Switch (Black Housing) | x | x | x | x | x | x | x | x | x |
| 13 * | Mach.Scr, Phil, 10-32 x 1/2 | x | x | x | x | x | x | x | x | x |
| 14 * | Washer .219 x.500 x.049 | x | x | x | x | x | x | x | x | x |
| 15 * | Lockwasher, #10 Ext. Tooth | x | x | x | x | x | x | x | x | x |
| 16 * | Hex Nut #10-32 | x | x | x | x | x | x | x | x | x |
| 17 SM45090 | Engine Deck Wld. | | x | x | x | x | x | | | |
| 17 SM45116 | Engine Deck Wld. | | | | | | | x | x | x |
| 17 SM45128 | Engine Deck Wld. | x | | | | | | | | |
| 18 42263 | Rear Belt Guide, Engine | x | x | x | x | x | x | x | x | x |
| 19 * | Hex Nut, 5/16-18 | x | x | x | x | x | x | x | x | x |
| 20 44006 | Belt Guide, Traction Dr. | x | x | x | x | x | x | x | x | x |
| 21 * | Hex Head Bolt, 5/16-18 x 1 | x | x | x | x | x | x | x | x | x |
| 21a 04003-04 | Carriage Hd Bolt 5/16-18 x 1 | x | x | x | x | x | x | x | x | x |
| 22 * | Washer, 25/64 x 15/16 x 12 ga. | x | x | x | x | x | x | x | x | x |
| 23 48197 | Pulley, Trans. Input | x | x | x | x | x | x | x | x | x |
| 24 04063-07 | Key, Woodruff #9 | x | x | x | x | x | x | x | x | x |
| 25 04050-09 | Retaining Ring, 5/8 Ext.Basic | x | x | x | x | x | x | x | x | x |
| 26 48203 | Belt, Transmission Drive | x | x | x | x | x | x | x | x | x |
| 27 48201 | Idler Pulley, Transmission | x | x | x | x | x | x | x | x | x |
| 28 48196 | Pulley, Traction Drive | x | x | x | | x | x | x | x | x |
| 28 48249 | Pulley, Traction Drive | | | | x | | | | | |
| 29 04063-03 | Key, 1/4 x 1/4 x 2-1/2 | x | x | x | | x | x | x | x | x |
| 29 04063-10 | Key, 3/16 x 13/16 x 2-1/2 | | | | x | | | | | |
| 31 48127 | Pulley, Belt Dr. (Incl. 32-33) | x | x | x | | x | x | x | x | x |
| 31 48247 | Pulley, Belt Dr. (Incl. 32-33) | | | | x | | | | | |
| 32 48141 | Taper Hub (for 48127) | x | x | x | | x | x | x | x | x |
| 32 48248 | Taper Hub (for 48247) | | | | x | | | | | |
| 33 * | Hex Hd Bolt, 1/4-20 x 3/4 | x | x | x | x | x | x | x | x | x |
| 34 * | Lockwasher, Spring, 3/8 | x | x | x | x | x | x | x | x | x |
| 35 * | Hex Nut, 3/8-16 | x | x | x | x | x | x | x | x | x |
| 36 42268 | Belt Guide, Saddle | x | x | x | x | | | | | |
| 36A 42265 | Belt Guide, Saddle | | | | | x | x | x | x | x |
| 37 * | Hex Hd Bolt, Metric 8x25 | x | x | x | | x | x | x | x | x |
| 37 * | Hex Hd Bolt, Metric 10x30 | | | | x | | | | | |
| 38 48192-01 | Drive Wheel Assy (Incl. 38A-38B) | | | x | x | x | x | x | x | x |
| 38 48253 | Drive Wheel Assy (Incl. 38C-38D) | x | | | | | | | | |
| 38A 48192-02 | Tire, 13 x 6.50-6, 2-Ply | | x | x | x | x | x | x | x | x |
| 38B 48192-03 | Rim & Bearing Assy (Incl. 39) | | x | x | x | x | x | x | x | x |
| 38C 48253-02 | Tire, 13 x 5.00-6, 2Ply | x | | | | | | | | |
| 38D 48253-03 | Rim & Bearing Assy (incl. 39) | x | | | | | | | | |
| 39 SM48193 | Wheel Bearing | x | x | x | x | x | x | x | x | x |
| 40 04042-05 | Washer, 1-1/16 x 1-3/4 x 12 ga. | x | x | x | x | x | x | x | x | x |
| 40A 04041-14 | Washer, 1-1/16 x 1-1/2 x 18 ga. | x | x | x | x | x | x | x | x | x |
| 41 04050-08 | Retaining Ring, 1" Ext.-"E" | x | x | x | x | x | x | x | x | x |
| 42 48200 | Pulley, Wheel Drive | x | x | x | x | x | x | x | x | x |
| 43 43088 | Spacer, Wheel Pulley | x | x | x | x | x | x | x | x | x |

* Common hardware should be purchased locally. All bolts Grade 5 plated, All other fasteners zinc plated

ENGINE DECK CONTINUED ON FOLLOWING PAGE.

ENGINE DECK CONT'D

See Page D5 For Illustration

| REF. PART NO. NO. | DESCRIPTION | SW | SW | SW | SW | SW | SW | SW | SW | SW |
|----------------------|---|-----------|-----------|----------|----------|-----------|-----------|-----------|------------|------------|
| | | 32 12B | 36 12B | 36 13 | 36 8J | 48 12B | 48 13K | 52 13K | 52 18KH | 61 18KH |
| 44 | 48209 | | | | | | | | | |
| | Brake Drum | x | x | x | x | x | x | x | x | x |
| 45 | * | | | | | | | | | |
| | Hex Head Bolt, 5/16-18 x 1-1/2 | x | x | x | x | x | x | x | x | x |
| 46 | 04003-03 | | | | | | | | | |
| | Sh.Sq.Nk.Car. Bolt, 3/8-16 x 2 | x | x | x | x | x | x | x | x | x |
| 47 | * | | | | | | | | | |
| | Hex Nut, 5/16-18 Elastic Stop | x | x | x | x | x | x | x | x | x |
| 48 | * | | | | | | | | | |
| | Carr Bolt, 3/8-16 x 1 1/2Rd.Hd. Sh. Sq. NK. | | | | | | | | x | x |
| 50 | 42330 | | | | | | | | | |
| | Bracket, idler Pulley | | | | | | | | x | x |
| 51 | 43063 | | | | | | | | | |
| | Spacer | | | | | | | | x | x |
| 52 | 04041-11 | | | | | | | | | |
| | Washer, 13/32 x 1-1/2 x 7 ga. | | | | | | | | x | x |
| 57 | 42333 | | | | | | | | | |
| | Engine Mounting Plate | | | | x | | | | | |
| 58 | * | | | | | | | | | |
| | 5/16-18 x 1 Hex Hd. Bolt | | | | x | | | | | |
| 59 | * | | | | | | | | | |
| | 6-1x45 Full thrd Hex Hd.Bolt | | | | x | | | | | |
| 60 | * | | | | | | | | | |
| | 1/4 Lockwasher, Spring | | | | x | | | | | |
| 61 | * | | | | | | | | | |
| | Hex Nut, 6-1 | | | | x | | | | | |
| 62 | 48275 | | | | | | | | | |
| | Clamp, Fuel Hose | | | | x | | | | | |
| 63 | * | | | | | | | | | |
| | Hex Hd Bolt 3/8-16 x 2 | | | | | | | | x | x |
| 64 | 48030 | | | | | | | | | |
| | Clamp Fuel Hose | | | | | | | | x | x |
| 65 | 48257 | | | | | | | | | |
| | Pipe Cap | | | | | | | | x | x |
| 66 | 48254 | | | | | | | | | |
| | Pipe 4" nipple | | | | | | | | x | x |
| 67 | * | | | | | | | | | |
| | Lockwasher, 7/16 Spring | | | | x | | | | | |

* Common hardware should be purchased locally. All bolts Grade 5 plated, All other fasteners zinc plated.

SERVICE MANAGER'S NOTES

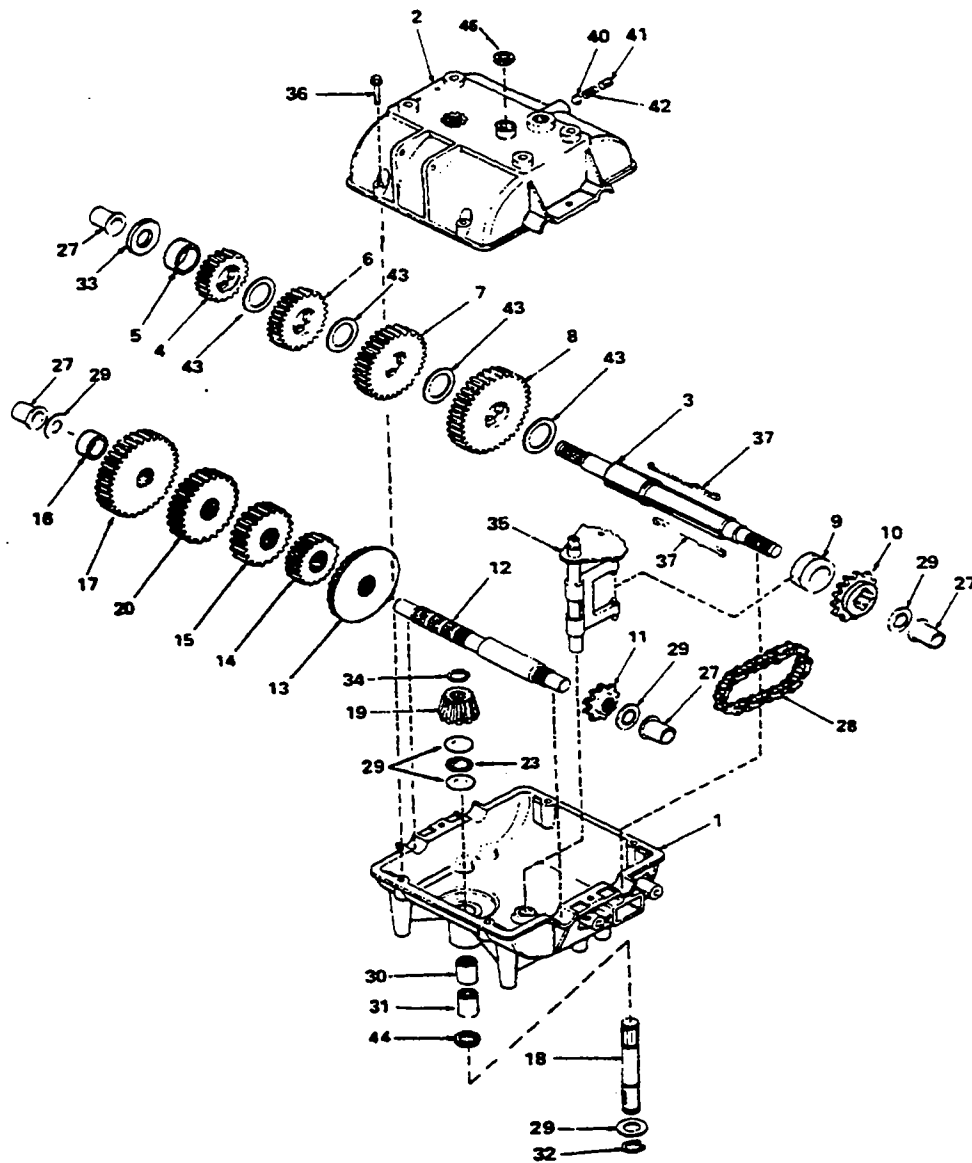
REF. NO.

- 39 See SB 32 - Drive wheel bearings (outside diameter).
- 17 See SB 44 - Engine deck support plate.
- 3 See SB 38 - 4 to 5 speed conversion.
- 1 See SB 42 - Solutions to starter ratcheting.

SERVICE MANAGER'S NOTES FOR PAGE 9

- See SB 27 - Reduction of forward speed with Kit 48301.
- See SB 31 - 820 transaxle conversion Kit 46190 for large frame tractors..

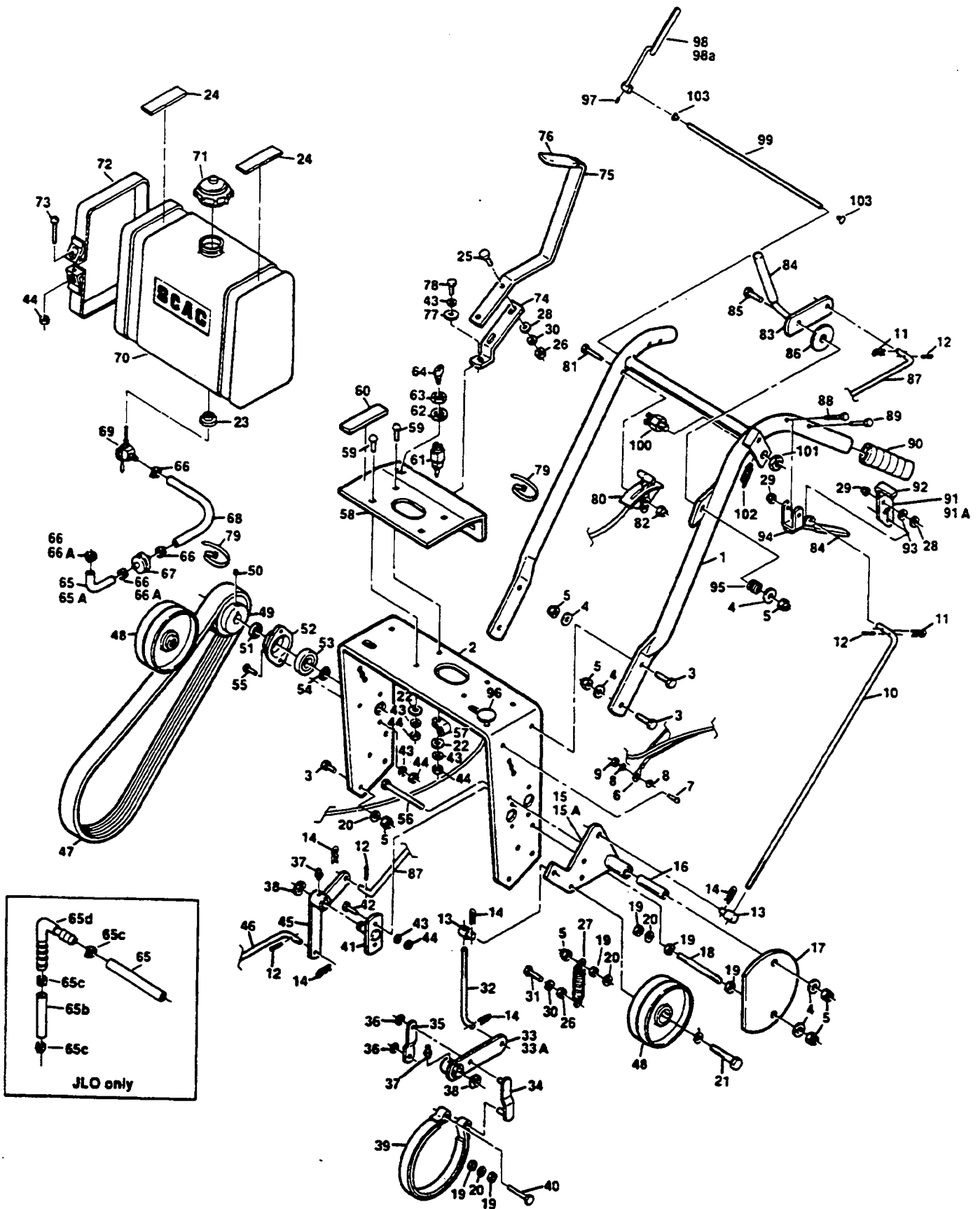
PEERLESS 700 - 022



PEERLESS TRANSMISSION MODEL 700 - 022

| REF. PART NO. | REF. PART NO. | DESCRIPTION | ALL UNITS | REF. PART NO. | REF. PART NO. | DESCRIPTION | ALL UNITS |
|---------------|---------------|------------------------------------|-----------|---------------|---------------|---------------------------------------|-----------|
| 1. | 770061 | Case, Transmisson | x | 20 | 778240 | Gear, Spur (18 teeth) | x |
| 2. | 772083 | Cover, Transmission | x | 23 | 780071 | Bearing, Thrust | x |
| 3. | 776217 | Shaft, Output & Brake | x | 27 | 780105A | Bushing, Flanged | x |
| 4. | 778124A | Gear, Spur (20 teeth) | x | 28 | 786081 | Chain, Roller (No.41 chain,24 links) | x |
| 5. | 786072 | Spacer, 1-3/8"OD x 1-1/8"ID x 3/8" | x | 29 | 780072 | Washer, Thrust | x |
| 6. | 778239 | Gear, Spur (32 teeth) | x | 30 | 780086 | Bearing, Needle | x |
| 7. | 778125 | Gear, Spur (35 teeth) | x | 31 | 780142 | Bearing, Needle | x |
| 8. | 778146A | Gear, Spur (37 teeth) | x | 32 | 792035 | Ring, Retaining | x |
| 9. | 784266 | Collar, Shift | x | 33 | 780139 | Washer, Thrust | x |
| 10. | 786083 | Sprocket (18 teeth) | x | 34 | 788040 | Ring, Retaining | x |
| 11. | 786082 | Sprocket (9 teeth) | x | 35 | 784267 | Rod & Fork Assy., Shift | x |
| 12. | 776134 | Shaft, Counter | x | 36 | 792073 | Screw, Flanged Hex hd.tf,1/4-20x1-1/4 | x |
| 13. | 778154 | Gear, Bevel (42 teeth) | x | 37 | 792089A | Key | x |
| 14. | 778145 | Gear, Spur (12 teeth) | x | 40 | 792077 | Ball, Steel, 5/16" | x |
| 15. | 778151 | Gear, Spur (15 teeth) | x | 41 | 792078 | Screw, Set 3/8-16 x 3/8 | x |
| 16. | 786071 | Spacer, 1-1/8"OD x 3/4"ID x 3/8" | x | 42 | 792079 | Spring | x |
| 17. | 778126A | Gear, Spur (30 teeth) | x | 43 | 780108 | Washer, Thrust | x |
| 18. | 776135 | Shaft, Input | x | 44 | 792001 | "O" Ring | x |
| 19. | 778176 | Bevel Pinion, Input | x | 46 | 788069 | Seal, Square Cut | x |

HANDLE ASSEMBLY



HANDLE ASSEMBLY

| REF.PART NO. NO. | DESCRIPTION | SW | SW | SW | SW | SW | SW | SW | SW |
|---------------------|-------------|-----------|-----------|-----------|----------|-----------|-----------|-----------|------------|
| | | 32 12B | 36 12B | 36 13K | 36 8J | 48 12B | 48 13K | 52 13K | 52 18KH |
| 1 | 46178 | | x | x | x | x | x | | |
| 1 | 46179 | | | | | | | x | x |
| 2 | 42249 | | x | x | x | x | x | | |
| 2 | 42310 | | | | | | | x | x |
| 3 | * | | x | x | x | x | x | x | x |
| 4 | * | | x | x | x | x | x | x | x |
| 5 | * | | x | x | x | x | x | x | x |
| 6 | 48237 | | x | x | x | x | x | x | x |
| 6 | 48287 | | | | | | | | x |
| 6 | 48323 | | | | | x | | | x |
| 7 | * | | x | x | x | x | x | x | x |
| 8 | * | | x | x | x | x | x | x | x |
| 9 | * | | x | x | x | x | x | x | x |
| 10 | 44004 | | x | x | x | x | x | x | x |
| 11 | 04062-02 | | x | x | x | x | x | x | x |
| 12 | * | | x | x | x | x | x | x | x |
| 13 | 43032 | | x | x | x | x | x | x | x |
| 14 | 04062-01 | | x | x | x | x | x | x | x |
| 15 | 45091-01 | | x | x | x | x | x | x | x |
| 15A | 45091-02 | | x | x | x | x | x | x | x |
| 16 | 43092 | | x | x | x | x | x | x | x |
| 17 | 42283 | | x | x | x | x | x | x | x |
| 18 | 04004-01 | | x | x | x | x | x | x | x |
| 19 | * | | x | x | x | x | x | x | x |
| 20 | * | | x | x | x | x | x | x | x |
| 21 | * | | x | x | x | x | x | x | x |
| 22 | * | | x | x | x | x | x | x | x |
| 23 | 48309 | | x | x | x | x | x | x | x |
| 24 | 48292 | | x | x | x | x | x | x | x |
| 25 | * | | x | x | x | x | x | x | x |
| 25A | 04003-06 | | x | x | x | x | x | x | x |
| 26 | * | | x | x | x | x | x | x | x |
| 27 | 48051 | | x | x | x | x | x | x | x |
| 28 | * | | x | x | x | x | x | x | x |
| 29 | * | | x | x | x | x | x | x | x |
| 30 | * | | x | x | x | x | x | x | x |
| 31 | * | | x | x | x | x | x | x | x |
| 32 | 44005 | | x | x | x | x | x | x | x |
| 33 | SM 45092-01 | | x | x | x | x | x | x | x |
| 33A | SM 45092-02 | | x | x | x | x | x | x | x |
| 34 | 45093 | | x | x | x | x | x | x | x |
| 35 | 42254 | | x | x | x | x | x | x | x |
| 36 | 04024-01 | | x | x | x | x | x | x | x |
| 37 | 48114-01 | | x | x | x | x | x | x | x |
| 38 | 04050-01 | | x | x | x | x | x | x | x |
| 39 | 48210 | | x | x | x | x | x | x | x |
| 40 | * | | x | x | x | x | x | x | x |
| 41 | 45094 | | x | x | x | x | x | x | x |
| 42 | * | | x | x | x | x | x | x | x |
| 43 | * | | x | x | x | x | x | x | x |
| 44 | * | | x | x | x | x | x | x | x |
| 45 | 45095 | | x | x | x | x | x | x | x |
| 46 | 44003 | | x | x | x | x | x | x | x |
| 47 | SM 48202 | | x | x | x | x | x | x | x |
| 48 | 48198 | | x | x | x | x | x | x | x |
| 49 | 48199 | | x | x | x | x | x | x | x |
| 50 | * | | x | x | x | x | x | x | x |
| 51 | 43098 | | x | x | x | x | x | x | x |
| 52 | 48223 | | x | x | x | x | x | x | x |
| 53 | 48224 | | x | x | x | x | x | x | x |
| 54 | 04050-09 | | x | x | x | x | x | x | x |
| 55 | * | | x | x | x | x | x | x | x |
| 56 | * | | x | x | x | x | x | x | x |
| 57 | 48030 | | x | x | x | x | x | x | x |
| 58 | SM 42251 | | x | x | x | x | x | x | x |
| 59 | * | | x | x | x | x | x | x | x |
| 60 | 48205 | | x | x | x | x | x | x | x |
| 61 | 48171 | | x | x | x | x | x | x | x |
| 62 | 48017-03 | | x | x | x | x | x | x | x |
| 63 | 48017-04 | | x | x | x | x | x | x | x |
| 64 | 48017-02 | | x | x | x | x | x | x | x |
| 65 | 48058-01 | | x | x | x | | | | |
| 65 | 48058-02 | | | | | | | | |
| 65 | 48058-08 | | | | | | | | |
| 65a | 48179-01 | | | | | | | | |

* Common hardware should be purchased locally. All bolts Grade 5 plated, All other fasteners zinc plated

HANDLE ASSEMBLY CONTINUED ON FOLLOWING PAGE

HANDLE ASSEMBLY CONT'D

See Page D9 For Illustration

| REF. PART NO. | NO. | DESCRIPTION | SW 32 12B | SW 36 12B | SW 36 13K | SW 36 8J | SW 48 12B | SW 48 13K | SW 52 13K | SW 52 18KH | SW 61 18KH |
|---------------|-------------|---|--------------|--------------|--------------|-------------|--------------|--------------|--------------|---------------|---------------|
| 65b | 48058-09 | Fuel Hose 8J 1/4 ID x 1 1/4" | | | | x | | | | | |
| 65c | 48275 | Clamp, fuel hose 8J | | | | x | | | | | |
| 65d | 48282 | Elbow, 8J | | | | x | | | | | |
| 66 | 48059-01 | Clamp, Fuel Hose | x | x | | x | x | | x | x | |
| 66A | 48059-02 | Clamp, Fuel Hose Kawasaki | | | x | | x | x | | | |
| 67 | 48057-02 | Fuel Filter | x | x | x | x | x | x | x | x | x |
| 68 | 48058-06 | Fuel Hose, Long 1/4 ID x 17" | x | x | x | x | x | x | x | x | x |
| 69 | 48308 | Valve, Fuel Shut Off | x | x | x | x | x | x | x | x | x |
| 70 | 46174 | Fuel Tank Assy. (Incl. Decals 23,71,69) | x | x | x | x | x | x | x | x | x |
| 71 | 48311 | Fuel Tank Cap | x | x | x | x | x | x | x | x | x |
| 72 | 42369 | Strap, Fuel Tank | x | x | x | x | x | x | x | x | x |
| 73 | * | Mach. Rd. Hd. Slotted, 1/4-20 x 2 | x | x | x | x | x | x | x | x | x |
| 74 | SM 42252 | Shifter Lever | x | x | x | x | x | x | x | x | x |
| 75 | SM 46073 | Shift Lever Assy. (Incl. 76) | x | x | x | x | x | x | x | x | x |
| 76 | 48215 | Grip, Shift Lever | x | x | x | x | x | x | x | x | x |
| 77 | 04043-01 | Washer, 17/64 x 7/8 x 1/8 HT | x | x | x | x | x | x | x | x | x |
| 78 | SM 04001-55 | Hex Head Bolt, 1/4-28 x 3/4 Grade 8 | x | x | x | x | x | x | x | x | x |
| 79 | 48028-01 | Cable Tie | x | x | x | x | x | x | x | x | x |
| 80 | 48206 | Throttle Control | x | x | x | | x | x | | | |
| 80 | 48274 | Throttle Control | | | | x | | | | | |
| 80 | 48266 | Throttle Control | | | | | | | | x | x |
| 81 | * | Hex Head Bolt, 1/4-20 x 2 | x | x | x | x | x | x | x | x | x |
| 82 | * | Hex Nut, 1/4-20 Elastic Stop | x | x | x | x | x | x | x | x | x |
| 83 | 46090 | Blade Clutch Lever Assy. (Incl. 84) | x | x | x | x | x | x | x | x | x |
| 84 | 48144 | Grip, Lever | x | x | x | x | x | x | x | x | x |
| 85 | * | Hex Head Bolt, 3/8-16 x 1-3/4 | x | x | x | x | x | x | x | x | x |
| 86 | 04041-10 | Washer, 3/8 x 2 x 16 Ga. | x | x | x | x | x | x | x | x | x |
| 87 | 44002 | Belt Clutch Rod, Upper | x | x | x | x | x | x | x | x | x |
| 88 | * | Hex Head Bolt, 5/16-18 x 2-1/4 | x | x | x | x | x | x | x | x | x |
| 89 | * | Hex Head Bolt, 5/16-18 x 2 | x | x | x | x | x | x | x | x | x |
| 90 | 48159 | Grip, Handle | x | x | x | x | x | x | x | x | x |
| 91 | 46083-01 | Neutral Latch Assy, RH (Incl. 92) | x | x | x | x | x | x | x | x | x |
| 91A | 46083-02 | Neutral Latch Assy, LH (Incl. 92) | x | x | x | x | x | x | x | x | x |
| 92 | 48095 | Grip, Neutral Latch | x | x | x | x | x | x | x | x | x |
| 93 | 04032-01 | Curved Spring Washer | x | x | x | x | x | x | x | x | x |
| 94 | 46089 | Brake Lever Assy. (Incl. 84) | x | x | x | x | x | x | x | x | x |
| 95 | 48050 | Spring Compression | x | x | x | x | x | x | x | x | x |
| 96 | 48091 | Choke Control | | | | | | | | x | x |
| 97 | * | Set Screw 1/4-28 x 1/4 Knurled Cup Pt. | x | x | x | x | x | x | x | x | x |
| 98 | 45142 | Safety Interlock Hand Grip LH | x | x | x | x | x | x | x | x | x |
| 98a | 45141 | Safety Interlock Hand Grip RH | x | x | x | x | x | x | x | x | x |
| 99 | 44018 | Rod, Control Pivot - 16" | x | x | x | x | x | | | | |
| 99 | 44014 | Rod, Control Pivot - 20" | | | | | | x | x | x | x |
| 100 | 48021 | Switch Interlock | x | x | x | x | x | x | x | x | x |
| 101 | 04026-01 | Hex Nut 9/16-18, Steel Spring | x | x | x | x | x | x | x | x | x |
| 102 | 48313 | Spring, Grip Return | x | x | x | x | x | x | x | x | x |
| 103 | 48312 | Bushings | x | x | x | x | x | x | x | x | x |

* Common hardware should be purchased locally. All bolts Grade 5 plated, all other fasteners zinc plated.

SERVICE MANAGER'S NOTES

REF. NO.

- 78 See SB 23 - Shift lever mounting on walkers.
- 75 See SB 38 - 4 to 5 speed transmission conversion kit.
- 74 See SB 38 - 4 to 5 speed transmission conversion kit.
- 58 See SB 38 - 4 to 5 speed transmission conversion kit.
- 47 See SB 52 - Belt slippage.
- 33 See SB 37 - Wheel drive belt slipping.

REPLACEMENT DECALS

SCAG

48314
Decal - Scag's Logo
(Located On Cutter Deck Cover - Top Surface)

R N 1 2 3 4
| | | | | |

48216 - 4SPD
48332 - 5SPD
Decal - Shift Index
(Located On Shifter Plate - Above Shift Lever)

**HEAVY DUTY
COMMERCIAL**

48072
Decal - Heavy Duty Commercial
(Located On Cutter Deck Cover - Front Wall)

DANGER
ROTATING BLADES AND BELTS

- KEEP HANDS FEET & CLOTHING CLEAR
- KEEP ALL GUARDS IN PLACE
- SHUT OFF ENGINE & DISENGAGE BLADE CLUTCH BEFORE SERVICING
- CLEAR AREA OF DEBRIS BEFORE MOWING
- USE CAUTION IN DIRECTING DISCHARGE
- KEEP BYSTANDERS CHILDREN & PETS AWAY
- READ INSTRUCTION MANUAL BEFORE OPERATING

48073
Decal - Danger, Rotating Blades
(Located On Cutter Deck Cover - Near Discharge Chute)

48

| | |
|----|-------|
| 72 | 48327 |
| 61 | 48320 |
| 52 | 48319 |
| 48 | 48318 |
| 36 | 48316 |
| 32 | 48315 |

DANGER
KEEP HANDS and FEET AWAY

48071
Decal - O.P.E.I. Safety
(Located On Cutter Deck Near Discharge Chute)

ROTATE
↑
**CUTTER
BLADES**
↓
STOP

48217
Decal - Blade Engage
(Located On LH Handle Tube Near Engagement Lever)

**CLOSE FUEL VALVE
WHEN MACHINE IS
NOT IN USE**

IF VALVE IS LEFT OPEN,
SEVERE ENGINE DAMAGE
OR HOOD STARTING MAY
RESULT FROM FUELING

48214
Decal - Fuel Shutoff
(Located On Fuel Tank - Above Keyswitch)

DANGER

SERIOUS BODILY INJURY MAY RESULT FROM FAILURE TO FOLLOW SAFE OPERATING PROCEDURES.

BEFORE LEAVING OPERATOR'S POSITION, YOU MUST

- DISENGAGE CUTTER BLADES
- SHIFT TRANSMISSION TO NEUTRAL
- WAIT FOR ALL MOVEMENT TO STOP

READ OPERATOR'S MANUAL FOR ADDITIONAL SAFETY GUIDES.

48222
Decal - Operator Warning
(Located On Fuel Tank - Above Shift Lever)

NEUTRAL
LOCK
↑

OFF ON

48079
Decal - Key Switch
(Located On Shifter Plate - Near Keyswitch)

48218
Decal - Neutral Lock
(Located On RH & LH Handle Tube - Near Lock Lever)

**TWO CYCLE ENGINE
50:1 FUEL-OIL MIXTURE**

**IMPORTANT: DURING ENGINE
BREAK-IN (FIRST 20 HR) USE
25:1 FUEL-OIL MIXTURE**

STARTING

COLD- PRIME AND CHOKE
AS REQUIRED

WARM- CHOKE AS REQUIRED

48277
Decal - 2 Cycle Fuel Mixture
(Location - Top of Engine)

DANGER

**AVOID INJURY FROM BURNS
SHUT OFF ENGINE BEFORE
REMOVING FUEL TANK CAP**

**AVOID ENGINE DAMAGE
CLOSE FUEL VALVE WHEN
ENGINE IS NOT RUNNING**

48281
Decal - Operator Warning
Fuel Fill
(Located On Back of Fuel Tank)

WIRING SCHEMATIC

